

TECHNICAL SPECIFICATIONS



Dimensions: 55-56 cm seat centres
53.5 cm depth
98 cm height

Backrest: Cold moulded polyurethane foam, which wraps an injected polypropylene frame completely. It is later upholstered by means of a fabric cover, everything is protected by a compressed wood cover. Polyurethane density 55 Kg/m³.

Seat: Cold moulded polyurethane foam, which wraps an injected polypropylene frame completely. It is later upholstered by means of a fabric cover. The seat pan folds by means of an automatic noiseless maintenance-free double spring. Polyurethane density 65 Kg/m³

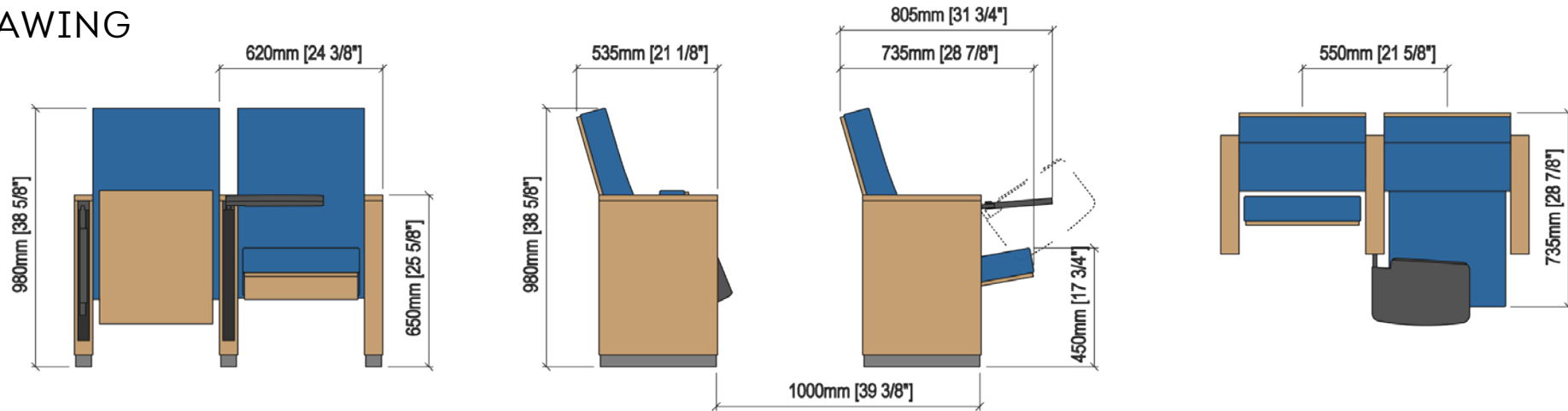
Side panel: Wood fibres board, finish in beech. Anti-panic polystyrene writing pad system with interior steel structure, located in the interior of the side panel. Concealed floor fixation system by means of a steel plinth.

Armrest: Included in the very side panel.

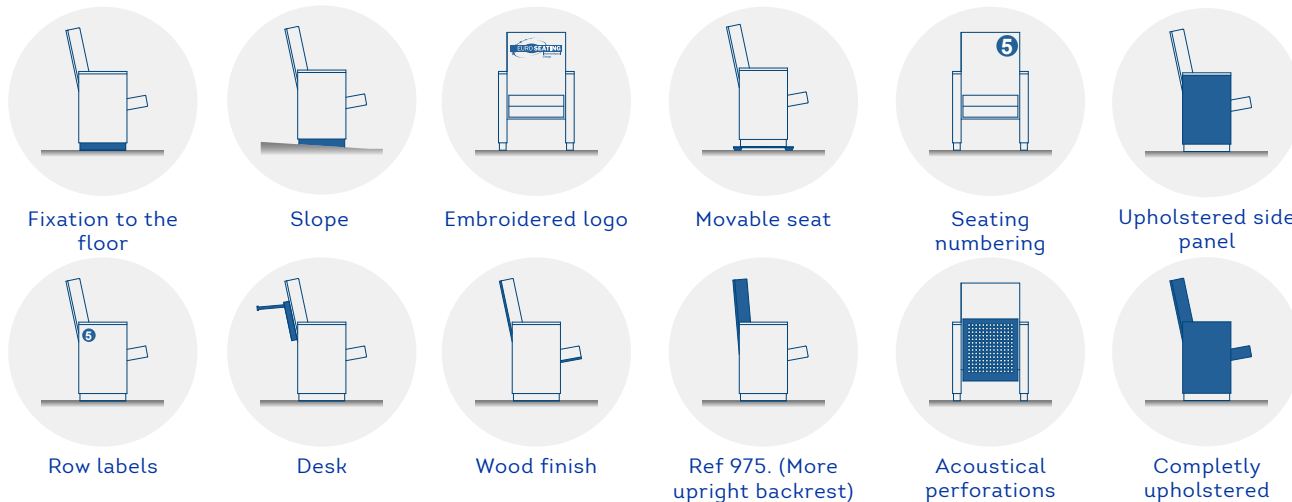
Volume: 0.160 m³/unit

Weight: 23.00 Kg not assembled

DRAWING



OPTIONS



CERTIFICATES

	Fabrics	Fire Barrier	Foam	Seat
BS 5852:2006	●			
BS-EN 1021-1:2006	●			
CAL TB 117-2013, SECTION 1	●			
UNE 23.727-90 1R (M1)	●	●		
UNE-EN 1021-1:2006 / UNE-EN 1021-2:2006	●	●	●	●
BS 5852:1979 Parte 1		●		
Acoustic absorption		●		●



Euro Seating reserves the right to modify the dimensions and characteristics without prior notice. All dimensions and specifications are given for information purposes only.